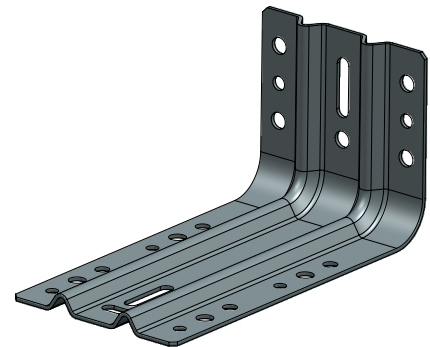


MUNTADO

Usage

- Mounting angle to attach floor-level window and door elements
- Suitable for different building heights due to different lengths
- Fastening in concrete and frames with turbo screws



Product features

- Increased load bearing for profiling
- Different hole diameters for fixation
- Slotted holes to adjust the window and door elements
- High corrosion protection through electrogalvanising or hot-dip galvanising

Technical information

Material:	DC01-A-m
Thickness:	2 mm
Lengths:	40 x 60 / 80 / 100 / 120 / 140 mm 60 x 60 / 80 / 100 / 120 / 140 mm 80 x 80 / 100 / 120 / 140 mm 100 x 100 / 120 / 140 / 150 / 200 / 220 / 240 / 260 / 280 / 300 mm
Packaging:	box of 25 or 40 pieces

