

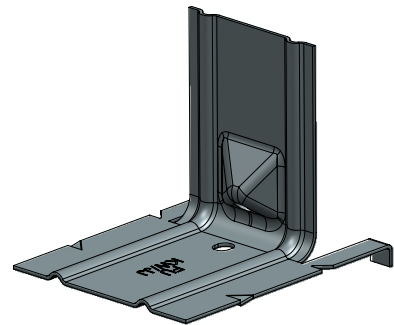
RENOVIGO

Usage

- Mounting angles for the window area
- Can be used for renovation work with existing insulation in the indoor area

Product features

- Rear position grooves facilitate the Fix of window-screw
- Lowered supporting surface for the screw head
- Rotation lock through notch on wall-sided arm
- Fixing of the position through plates
- Safe guiding of the drill and screw through 2 holes in the angle
- Easier handling or fixing when assembling
- No extra plaster or painting works



Technical information

Material:	DX51D+Z275 M-A-C
Width:	99 mm
Thickness:	1.5 mm
Fixed Length:	95 mm
Variable Length:	55 / 75 / 95 / 120 / 140 / 160 mm
Packaging:	box of 50 pieces

