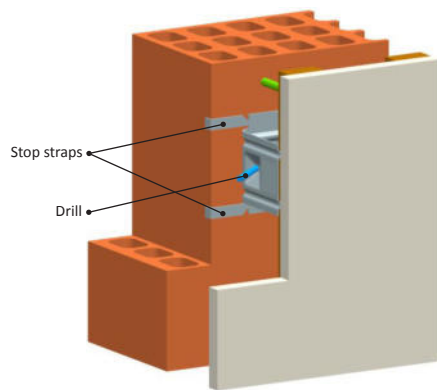


## Assembly instructions RENOVIGO

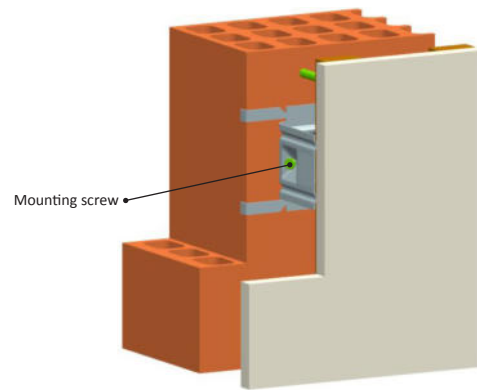
### Step 1 - Align and Drill

Align the stop straps on the masonry and  
Pre-drill through the recess in both legs.



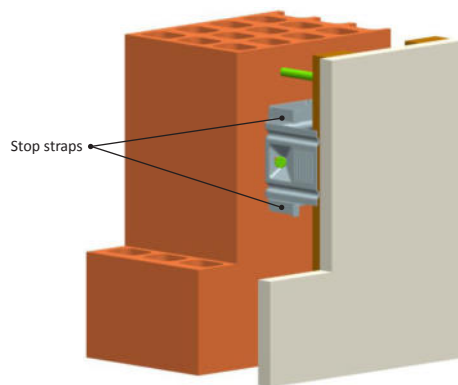
### Step 2 - Fixation

Fixing at masonry using suitable Mounting  
screw through the recess on both legs.



### Step 3 - Bending stop straps

Bend stop straps in direction  
of wall construction.



### Step 4 - Insert window frame

Insert the window frame, align it and use  
suitable window screw to fix at RENOVIGO.

