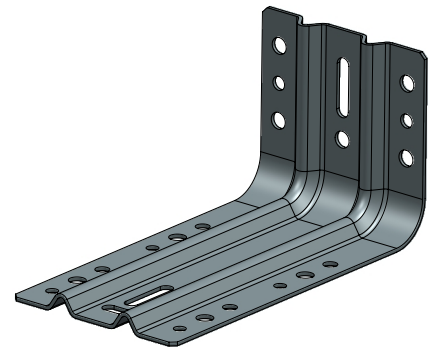


MUNTADO

Usage

- Mounting angle to attach floor-level window and door elements
- Suitable for different building heights due to different lengths
- Fastening in concrete and frames with turbo screws



Product features

- Increased load capacity by profiling
- Different hole diameters for fixation
- Slotted holes to adjust the window and door elements
- High corrosion protection through electrogalvanising or hot-dip galvanising

Technical information

Material: DC01-A-m

Thickness: 2 mm

Lengths: 40 x 60 / 80 / 100 / 120 / 140 mm
60 x 60 / 80 / 100 / 120 / 140 mm
80 x 80 / 100 / 120 / 140 mm
100 x 100 / 120 / 140 / 150 / 200 / 220 / 240 / 260 / 280 / 300 mm

various special lengths on request (140 x 140 mm to 240 x 280 mm possible)

Packaging: in a box, depending on the dimensions between 25, 40 or 50 pieces

